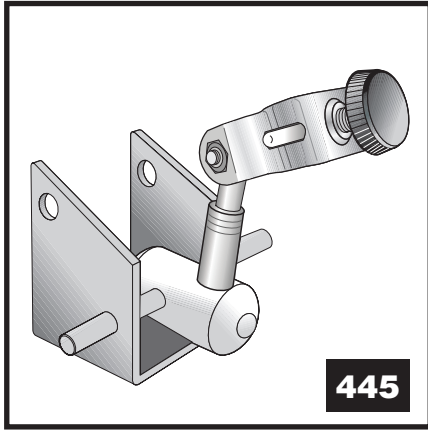


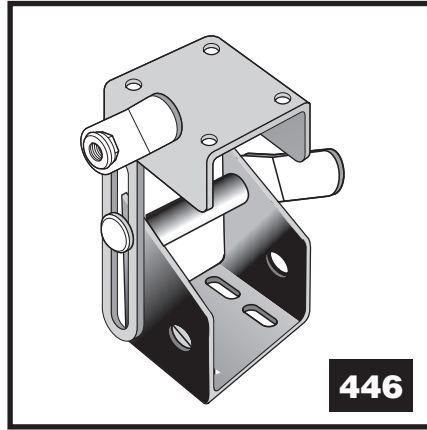
AVAILABLE MODELS



445

FINGERNAIL PROFILER

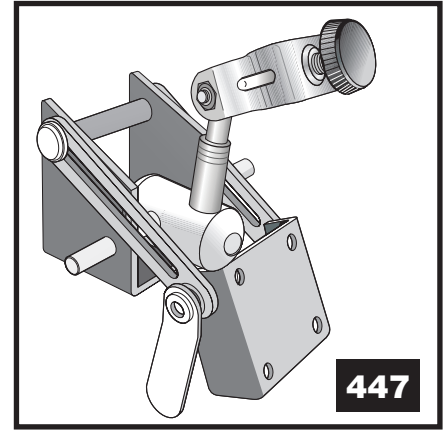
- A simple device which enables the re-creation of fingernail profiles on gouges.



446

UNIVERSAL SHARPENING SYSTEM

- Suitable for all standard (ie non fingernail) woodturning tools



447

DELUXE UNIVERSAL SHARPENING SYSTEM

- Deluxe system which incorporates all the features of 445 and 446. Changes from fingernail profiling to standard use in seconds.

UPGRADE OPTIONS:

445 to 447 Upgrade: For those who own a Fingernail Profiler this adds the large sharpening platform to allow sharpening of non fingernail tools. Includes captive spanners and angle finder.

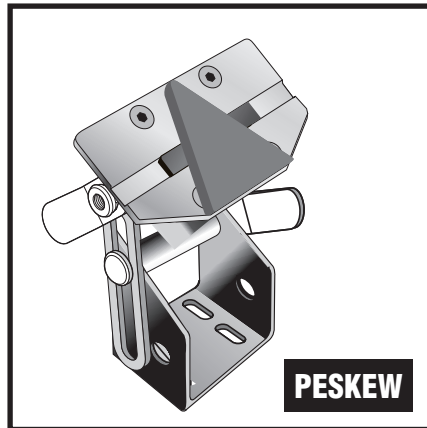
446 to 447 Upgrade: Improves the Universal System by adding Fingernail Profiling capability. Upgrade provides centre shaft, centre boss and tool holder/pivot arms.

Jig Adapter Table (Ref: 447JAT)

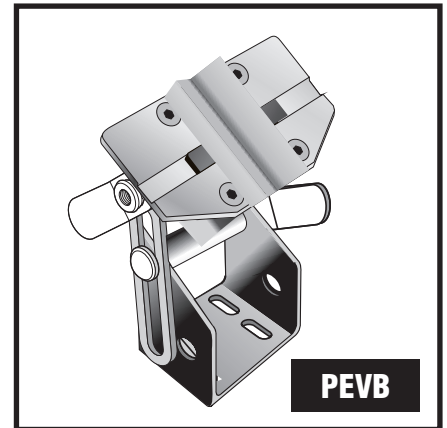
The Jig Adapter table fits directly onto the table section of the Universal (Ref:446) and Deluxe Universal (Ref:447) Sharpening systems using the four bolts provided.

This additional table allows for the use of four additional jigs. **1. The Skew Jig (Ref: PESKEW)**, perfect for sharpening skew angles. **2. The Standard Gouge Jig (Ref:PEVB)**, a V Block that assists keeping spindle and bowl gouges in-line when a standard grind is required. **3. The Woodworking Chisel Jig (Ref: PESQ)**, which allows for a keen straight edge on your woodworking chisels and **4. The Woodworker's Square Jig (Ref: PESQW)** which affords even greater accuracy when sharpening woodworking chisels.

The jig adapter plate also provides a more comfortable surface to employ the two Robert Sorby cutter holders when sharpening on a grindstone. The 472 holds the majority of Robert Sorby tips and cutters, while the RSTM-TH has been specifically designed to hold the smaller TurnMaster cutters.



PESKEW



PEVB

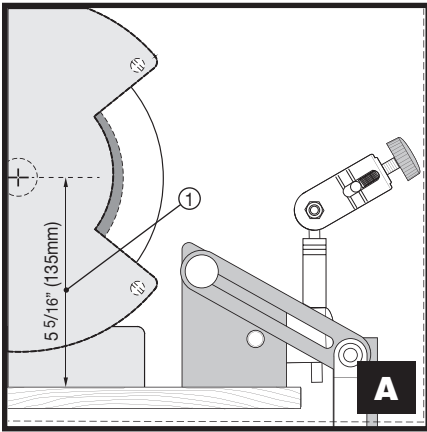


PESQ

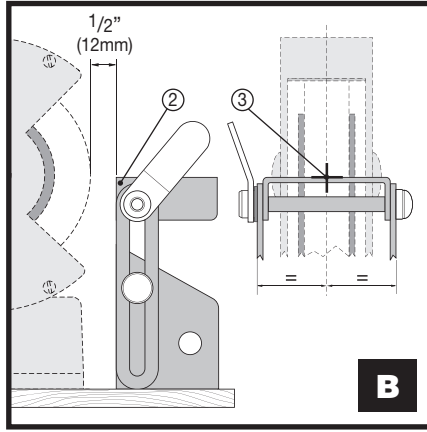


PESQW

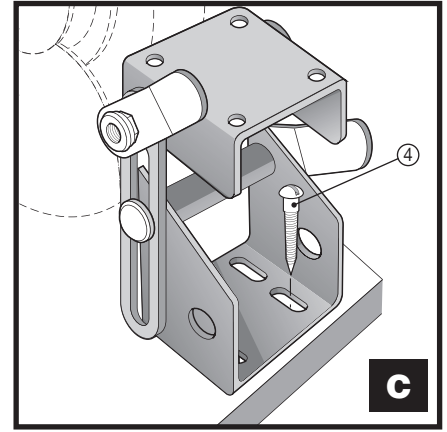
FITTING INSTRUCTIONS



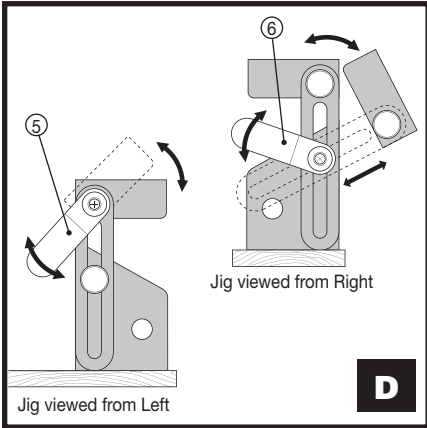
1. Pack grinder or jig to 5 5/16" (135mm) to achieve the correct centre height.



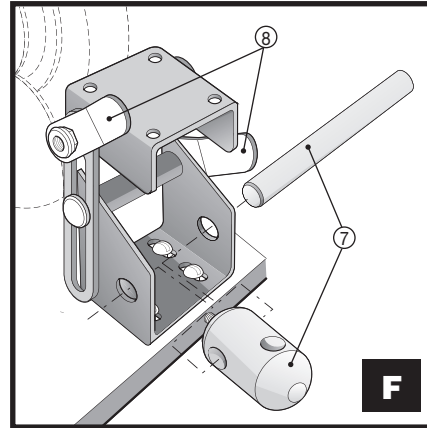
2. Position jig so front edge of stationary grindstone is 1/2" (12mm) from back of jig.
3. Ensure the jig is central to the grindstone, viewed from the front.



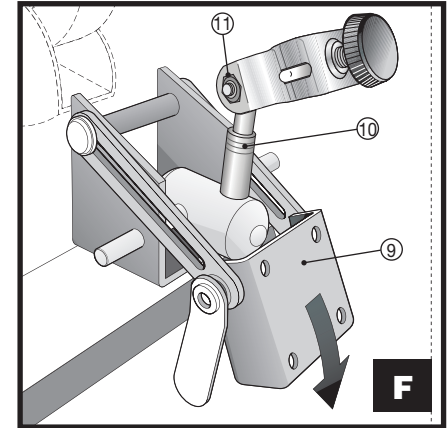
4. Fix jig to bench using four screws. Locating screws to front of slotted holes allows adjustment of jig inwards to compensate for stone wear.



5. Use left hand locking handle to adjust platform angle.
6. Use right hand locking handle to set platform* height and gap from wheel.
*Not supplied with model 445

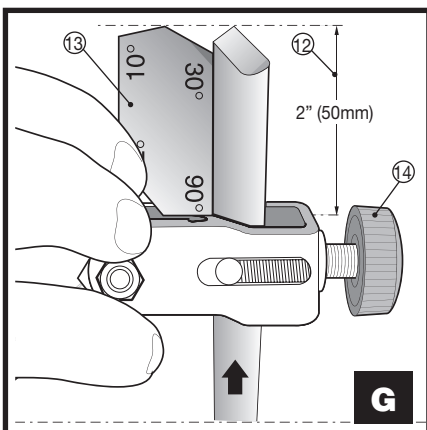


7. Insert shaft into boss and tighten locking screw*
8. Slacken the two locking handles.
*Not supplied with model 446

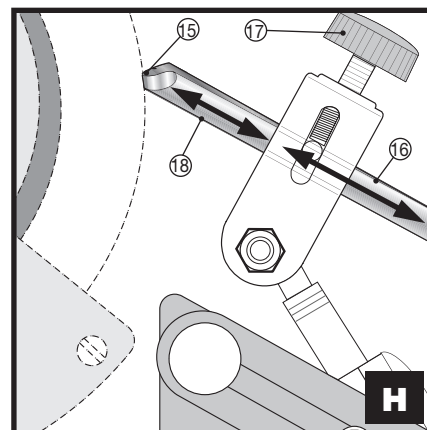


9. Swing table down.
10. Fit clamp assembly into boss hole.
11. Do not change knuckle angle at this stage.

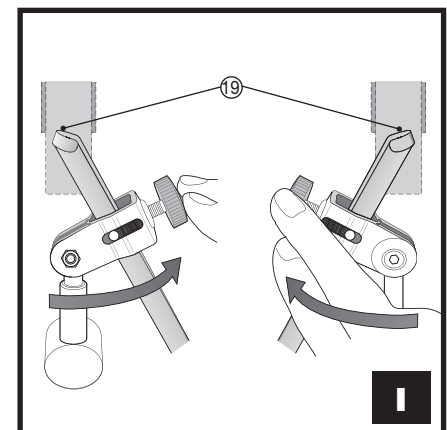
GRINDING ROBERT SORBY FINGERNAIL PROFILES



12. Bowl gouges at - 45° bevel angle. Slide gouge into clamp with 2" (50mm) projecting.
13. For reference, the angle gauge is 2" long*
14. Lock gouge in position with clamp screw.
*Not supplied with 445



15. Offer gouge tip to the stationary grinding wheel.
16. Viewed from the side (as shown) reduce or extend the gouge until the required angle is matched.
17. Lock gouge in position with clamp screw when correct angle is achieved.
18. Measure the distance the gouge is now projecting from the clamp and repeat for all future grinds.



19. With grinding wheel running, grind each of the gouge wings first (with small forward pressure). Finish by rolling the pivoting arm smoothly from side to side (through the jig arc) until there is one facet throughout the whole grind area.

Robert Sorby Ltd

Athol Road, Sheffield, S8 0PA

Tel: +44 (0) 114 225 0700

Email: sales@robert-sorby.co.uk

Website: www.robert-sorby.co.uk

Registered in England: Company No 3464018,
Registered office: Atlas Way, Atlas North, Sheffield, S4 7QQ
VAT No GB 172 4019 84